



ECOLED Panel Light



model	dimensions mm	watts	total No. LED's	LUX (1m)	Luminous Intensity	CCT (Kelvins)	Input voltage	Operating Temp (Degrees C)	Beam Angle	LED brand	Estimated Duty Cycle	Warranty Period
ecoLED Panel	295 x 295	18	168	180	>650 lm	3000-3500 5500-6500	AC100-240	-20 to +50	120 Degrees	Epistar	50,000 Hrs	2 Years
ecoLED Panel	295 x 595	20	240	210	>1200 lm	3000-3500 5500-6500	AC100-240	-20 to +50	120 Degrees	Epistar	50,000 Hrs	2 Years
ecoLED Panel	595 x 595	36	372	320	> 2200 lm	3000-3500 5500-6500	AC100-240	-20 to +50	120 Degrees	Epistar	50,000 Hrs	2 Years
ecoLED Panel	295 x 1195	36	372	330	>2200 lm	3000-3500 5500-6500	AC100-240	-20 to +50	120 Degrees	Epistar	50,000 Hrs	2 Years
ecoLED Panel	595 x 1195	56	576	650	>3400 lm	3000-3500 5500-6500	AC100-240	-20 to +50	120 Degrees	Epistar	50,000 Hrs	2 Years

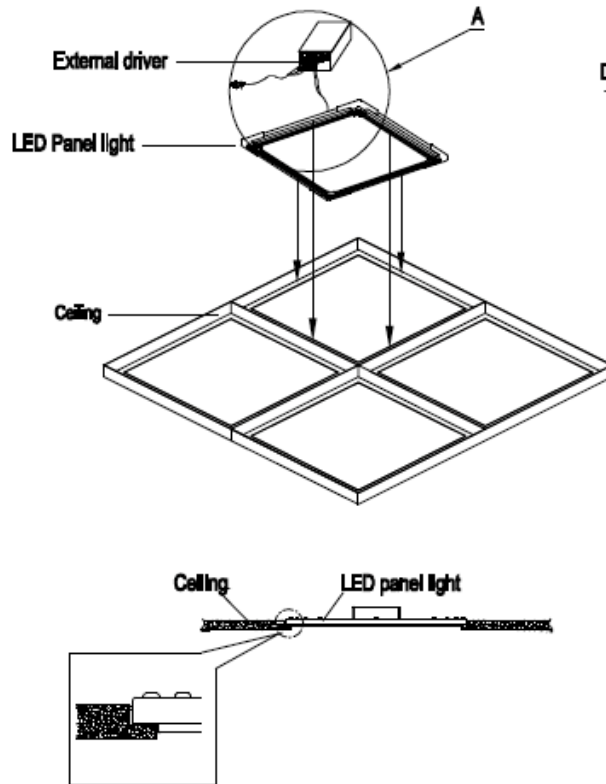
- Uses approx 50% less electricity than fluorescent technology
- Last approximately twice as long as fluorescent tubes
- Available in a variety of sizes for any environment or application
- Generates very little heat which reduces load on air-conditioning
- Lessens fire risk and improves safety
- Does not require a starter or ballast – further reducing energy use and fixture weight
- Contains no harmful or toxic substances
- Fully recyclable
- Does not emit UV radiation



Installation options.

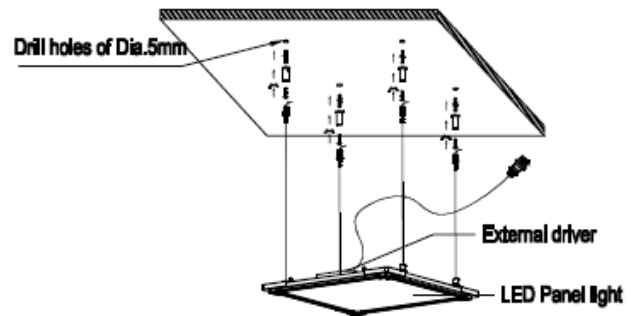
1. Recessed type:

Fix LED panel lights into the necks of ceilings directly.

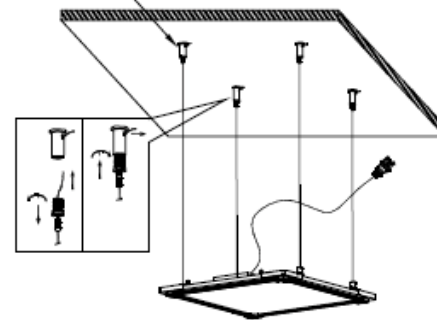


2. Suspended type:

If the ceiling couldn't sustain the weight of the LED panel light, Please choose this kind of installation.



The height could be modified easily through the flexing steel cables.



Level 4, James Smith Building
49-55 Cuba St, Thorndon.
Wellington 6011
New Zealand

www.ecopoint.co.nz
info@ecopoint.co.nz